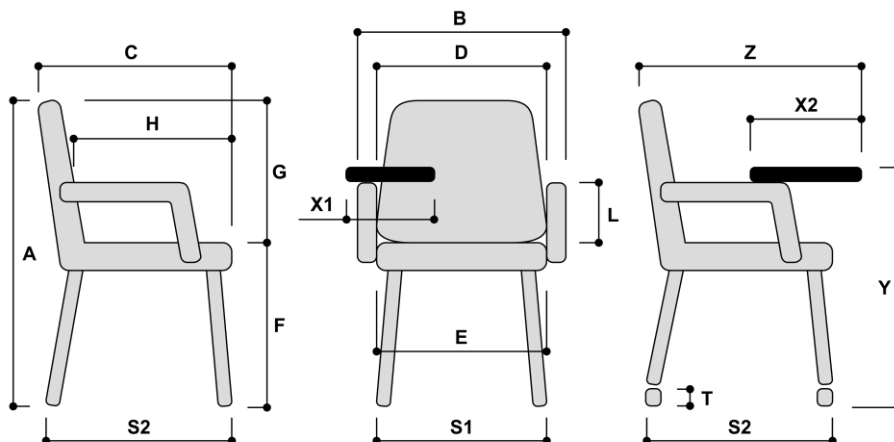


KB-FORMA

19/03/2026

Model specification :

- chair without arms, plastic seat and back



Overall dimensions (mm)		From	To	Stroke
Total height	A	790		
Total width	B	510		
Total depth	C	470		
Back width	D	510		
Seat width	E	455		
Height to top of seat	F	465		
Back height from top of seat	G	325		
Seat depth	H	470		
Armrest height	L			
Frame width (at base)	S1	525		
Frame depth (at base)	S2	515		
Wheel diameter	T			
Table width	X1			
Table depth	X2			
Height to top of table	Y			
Total depth with table	Z			