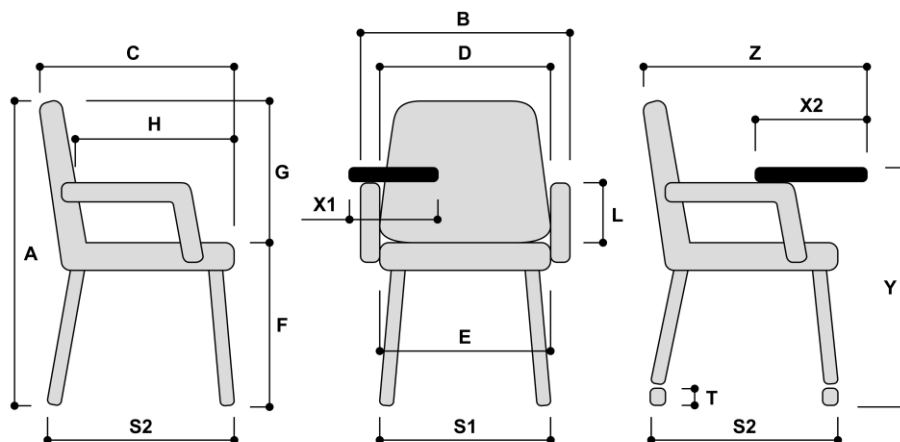


KB-DIVA

22/07/2025

Model specification :

- chair, seat without uph. pad



Overall dimensions (mm)		From	To	Stroke
Total height	A	800		
Total width	B	485		
Total depth	C	435		
Back width	D	485		
Seat width	E	430		
Height to top of seat	F	440		
Back height from top of seat	G	360		
Seat depth	H	435		
Armrest height	L			
Frame width (at base)	S1	500		
Frame depth (at base)	S2	520		
Wheel diameter	T			
Table width	X1			
Table depth	X2			
Height to top of table	Y			
Total depth with table	Z			